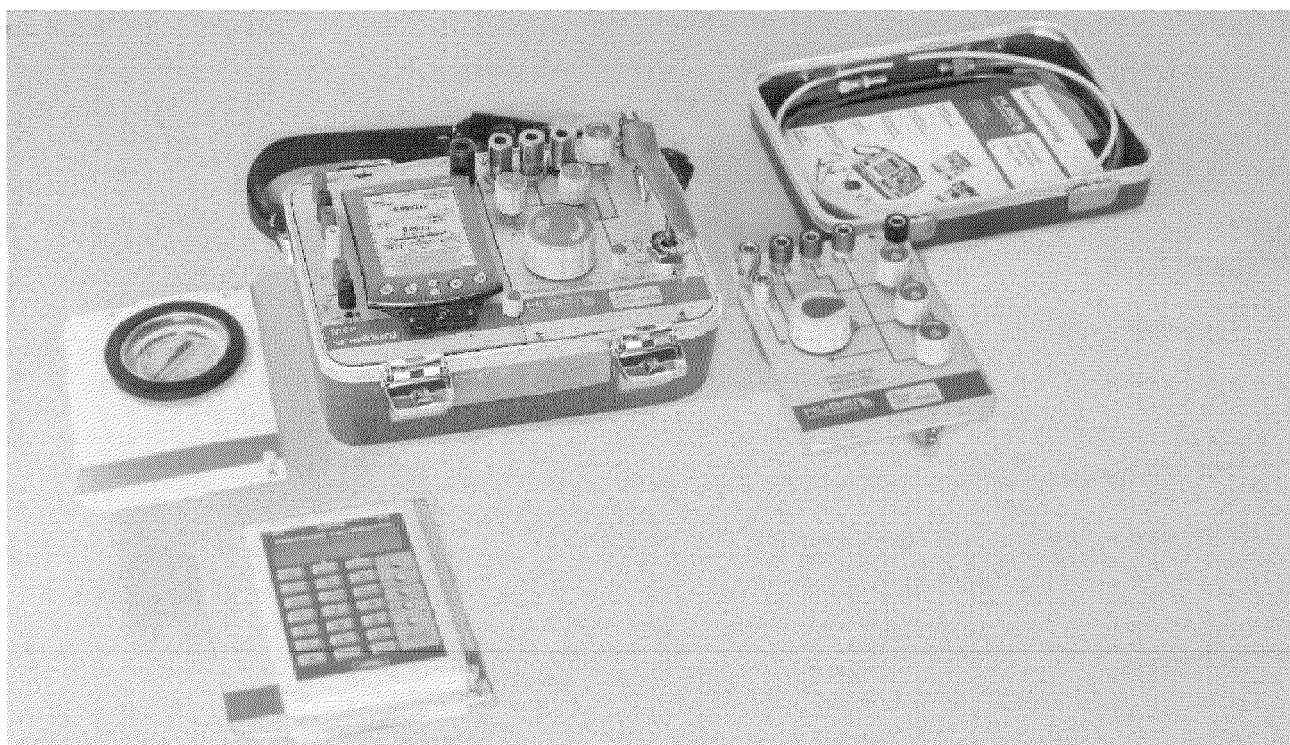


HUBER INSTRUMENTE

Militärstrasse 15, CH-4410 Liestal
Tel. +41 (0)61 921 50 60
Fax +41 (0)61 921 0121
www.huber-i-l.com
E-Mail: info@huber-i-l.com

MODULAR, MULTIPURPOSE TWO-HAND PRESSURE CALIBRATORS

with the PALM powered MEP 1000/2000 or
other Quick-Change Pressure References



Fields of Application

For the maintenance and on-site calibration of instruments such as

- » pressure transmitters
- » pressure gauges
- » pressure switches
- » pneumatic valves and controllers etc.

the times of lugging heavy calibrator cases and time-consuming and troublesome working with an entanglement of hand pumps and gauges, tubings, cables and other accessories have passed. Compact and handy, the series of two-hand pressure calibrators become permanent companions of the maintenance teams. In accordance with the task to be solved and personal preferences, the user can equip them with the most different digital or analogue hand gauges as reference instruments.

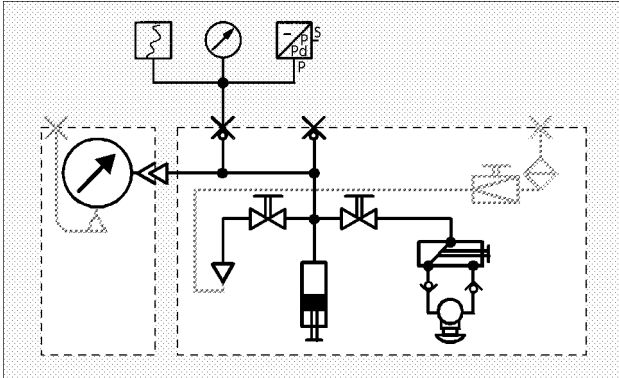
Special Features

- » Besides our MEP, using the PALM intelligence for pressure calibration, choice of pressure references from other producers within the space available
- » Reference instruments prepared once for all can be exchanged anytime with a few hand grips
- » Smallest design and nevertheless enough space for measurement accessories and even some tools (a universal Swiss Officer's Knife is part of the original equipment)
- » Four basic models for different measurement tasks based on long standing experience
- » Produced as far as possible from proved commercial components to assure a maintenance without problems
- » Easiest operation as the result of an ergonomic design.

Basic Models of Pressure Generation

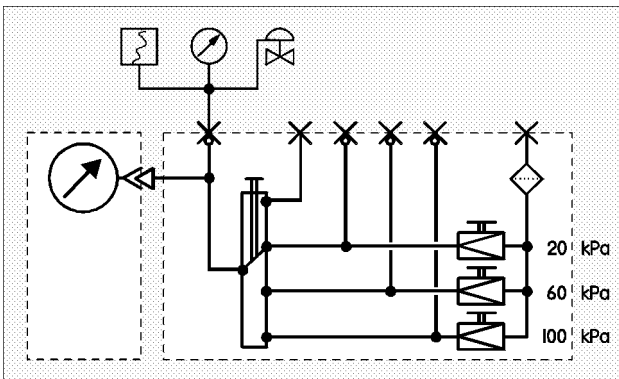
All models for pressure simulation are supplied in a small, handy cassette of which they occupy the right half. The left half consists of a quick-change frame to hold the pressure reference and its connections. The following three basic models for pressure simulation are available:

2010: Pressure/Vacuum Generation with Hand Pump



The integration of the low base part of the calibrator cassette into the actuation of the hand pump gives an operation of an ease and comfort unknown up to now, even with one single hand. No fixed surface is needed as support and mostly the second hand remains free for manipulations of the unit under test, the reference instrument or other components of the calibrator. The pump generates pressure up to 1.6 MPa and negative pressure to -80 kPa. The fine adjustment is made in accordance with the industry standard by a variable volume. The model 2020 features in addition a precision pressure regulator. For the simulation of very low pressures up to ± 50 kPa, the model 2040 is fitted with a peristaltic hand pump.

2030: Pneumatic Model with Pressure Regulators



Specially designed for pneumatic measurement and control systems, this model consists of three precision pressure regulators modified by a fine thread stem for maximum resolution. Presetting those at 20, 60 and

100 kPa for example, units under test can rapidly be cycled between the pneumatic standard signal's 0, 50 and 100 % using the selector switch. A fourth position of the selector is connected to atmosphere or to an additional external pressure. The supply pressure may be up to 1.6 MPa. The following setting ranges of the pressure regulators can be chosen:

Type 1	1,5...35 kPa	Type 4	7...420 kPa
Type 2	2...105 kPa	Type 5	15...700 kPa
Type 3	4...210 kPa		(also mixed)

Quick-Change Pressure References



Presented here as an outstanding example of different available quick-change pressure references, the MEP 1000/2000 have all measurement circuits for the calibration of transmitters etc. but no control devices. The whole user interface and calibration intelligence is transmitted to a PALM and is emulable on a PC. The PALM is securely fixed to the base unit which serves also as a universal dock (cradle). This way, calibration reports can be printed even on site or even sent as E-Mail.

About this and also about pressure references of other producers, separate documentations are available.

Technical Characteristics

Case:	Alu framed ABS cassette
Case, upper Part:	removable
Panels (left one folding):	Aluminum, serigraphed
Dimensions:	245 x 210 x 97 mm (9.7 x 8.3 x 3.8 in)
Net weight:	~ 1,9 kg (without ~ 4 lbs instrument)
Pressure connections:	rapid, STÄUBLI RBE 3

© HUBER INSTRUMENTE 1996...2006-09-07

Published on the PC with

CORELDRAW! and *Wundercraft 6*

Transformed to ADOBE .pdf format with
the EscapeE Converter of

RED TITAN

Technical specifications, data and design are subject to change without notice
Printed in Switzerland HIL 2HC 2006-09-07

HUBER
INSTRUMENTE

Militärstrasse 15
CH-4410 Liestal
Tel. +41 (0)61 921 50 60
Fax +41 (0)61 921 0121
info@huber-i.com